

SN360 Series Solar Inverter

Selection Guide



Zhejiang Saikong Electrical Technology Co., Ltd.



Solar Pump Irrigation System

SAFESAVE

Zhejiang Saikong Electrical Technology Co., Ltd

Nationwide hotline: +86 0577 61768877

Address: #22 Liujiang Avenue, Liushi Town, Yueqing City,
Zhejiang Province, China

Website: www.safeinvert.com

Skype/Whatsapp/Wechat: +86-13373857120

Product Overview

This product SN360 series solar inverter was designed and developed according to the characteristics of the working principle of solar PV panels and power supply. It serves in remote applications where electrical grid power is either unreliable or unavailable.



Product Features

Easy Operation and Use:

Fast setting . Shuttle center keyboard with high accuracy encoder, controlling accuracy at 0.01Hz, multi-resolution function setting.

Multi power supply design. Optional between solar energy photovoltaic DC power supply and single phase or three phase AC power supply with simple wiring.

Smart Control:

Self-adaptive maximum power point tracking (MPPT) technology makes full use of the solar cell array up to 99% efficiency.

Automatic regulation of motor speed and the water flow along with the intensity of sunlight.

Automatic control with water level. Entering sleeping mode at high-water level and automatic restart at low-water level.

Automatic control with sunlight. Entering sleeping mode with weakening sunlight and automatic exits the sleep mode when the sunlight is becoming stronger.

Reliability:

Wide voltage design. The inverter remains working stably under either high or low voltage in strong adaptability.

Built-in over-voltage, overload,overheat and dry-run motor protections.

Improvement of the reliability of the power system.

Prevention pump from anhydrous idling.

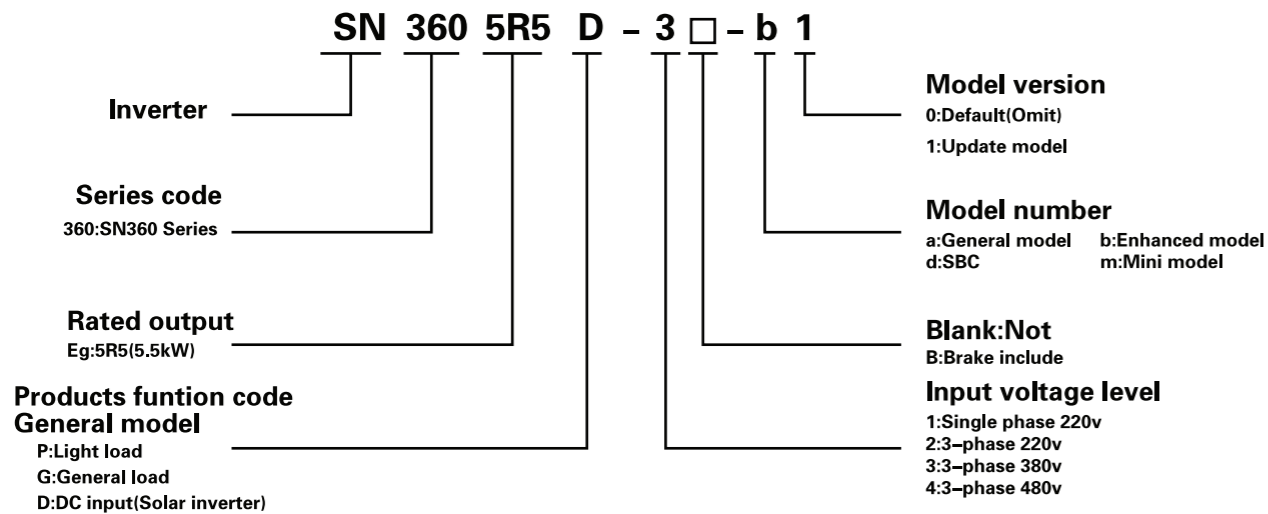
Remote Monitoring:

Standard RS485 interface equipped for each solar pump controller.

Spots value of solar pump parameters monitoring available from anywhere.

History of solar pump parameters and events checkup support.

Model Descriptions



Product Specification

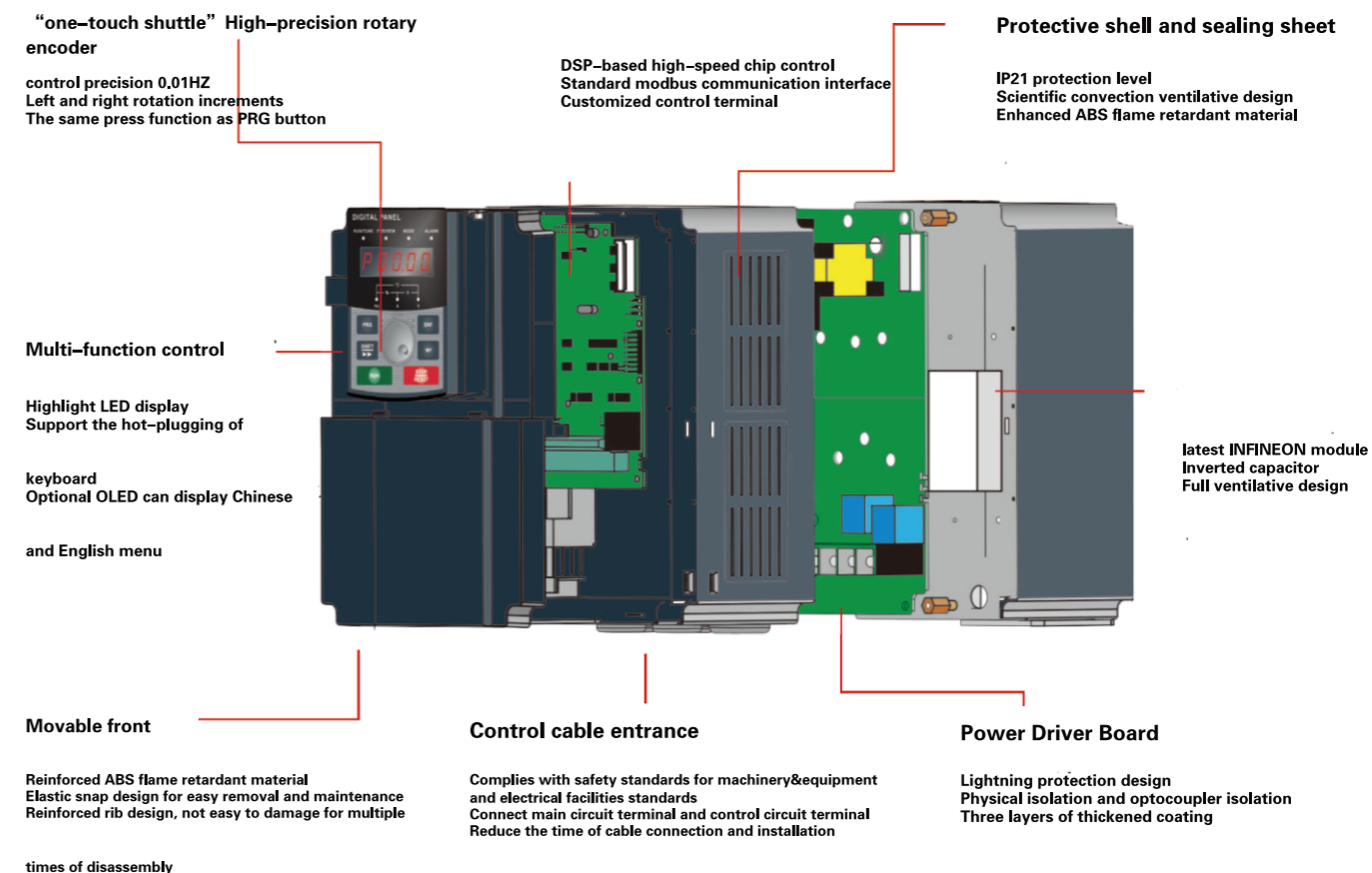
Model	DC/AC Input Voltage	Output power (kw)	Max. AC-input current (A)	Output current (A)	Adaptive Motor
SN360-0R4D-1B	DC Input: 200-350vdc AC Input: sing phase 220V±15% AC Output: 3-phase 220V	0.4	5.4	2.1	0.4
SN360-0R7D-1B		0.75	8.2	4	0.75
SN360-1R5D-1B		1.5	14	7	1.5
SN360-2R2D-1B		2.2	23	9.6	2.2
SN360-004D-1B		3.7	34	17	3.7
SN360-7R5D-2B	DC Input: 200-350vdc AC Input: 3-phase 220V±15% AC Output: 220V	7.5	35.0	32	7.5
SN360-011D-2		11.0	46.5	45	11.0
SN360-015D-2		15.0	62.0	60	15.0
SN360-018D-2		18.5	76.0	75	18.5
SN360-0R7D-3B		DC Input: 400-750vdc AC Input: 3-phase 380V±15% AC Output: 380V	0.75	3.4	2.1
SN360-1R5D-3B	1.5		5.0	3.8	1.5
SN360-2R2D-3B	2.2		5.8	5.1	2.2
SN360-003D-3B	3.0		7.9	7	3.0
SN360-004D-3B	3.7		10.5	9.0	3.7
SN360-5R5D-3B	5.5		14.6	13	5.5
SN360-7R5D-3B	7.5		20.5	17	7.5
SN360-011D-3B	11		26	25	11
SN360-015D-3B	15		35	32	15
SN360-018D-3	18.5		38.5	37	18.5
SN360-022D-3	22		46.5	45	22
SN360-030D-3	30		62	60	30
SN360-037D-3	37		76	75	37
SN360-045D-3	45		92	90	45
SN360-055D-3	55		113	110	55
SN360-075D-3	75	157	152	75	
SN360-090D-3	90	180	176	90	
SN360-110D-3	110	214	210	110	
SN360-132D-3	132	256	253	132	
SN360-160D-3	160	307	304	160	
SN360-185D-3	185	344	340	180	
SN360-200D-3	200	385	380	200	
SN360-220D-3	220	430	426	220	
SN360-250D-3	250	468	465	250	
SN360-280D-3	280	525	520	280	
SN360-315D-3	315	590	585	315	
SN360-355D-3	355	665	650	355	
SN360-400D-3	400	785	725	400	

Product Specification

Model	DC/AC Input Volatge	Output power (kw)	Max.DC-input current(A)	Output current (A)	Adaptive Motor
SN360-0R7D-4B	DC Input:400-750vdc AC Input:3-phase 480V±15% AC Output: 480V	0.75	3.4	2.1	0.75
SN360-1R5D-4B		1.5	5.0	3.8	1.5
SN360-2R2D-4B		2.2	5.8	5.1	2.2
SN360-004D-4B		3.7	10.5	9.0	3.7
SN360-5R5D-4B		5.5	14.6	13.0	5.5
SN360-7R5D-4B		7.5	20.5	17.0	7.5
SN360-011D-4B		11.0	26.0	25.0	11.0
SN360-015D-4B		15.0	35.0	32.0	15.0
SN360-018D-4B		18.5	38.5	37.0	18.5
SN360-022D-4B		22.0	46.5	45.0	22.0
SN360-030D-4B		30.0	62.0	60.0	30.0
SN360-037D-4B		37.0	76.0	75.0	37.0

Using multiple power supply design,power input can use solar energy photovoltaic DC power supply, can also be a single-phase, three-phase AC power supply,simple wiring.

Structural Representation



Information Display



Product:SN360

Power:0.75kW~400kW

Input:DC 200V~350V or AC 1phase,220V

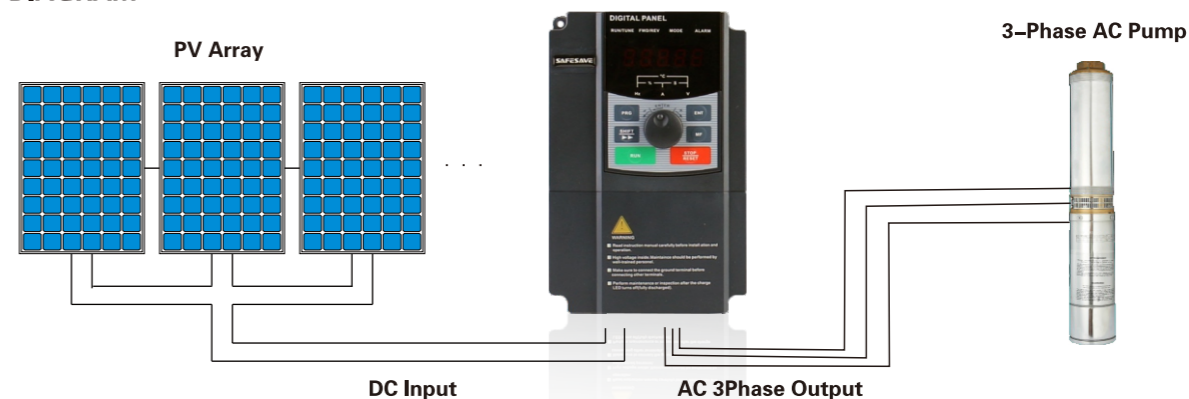
Output:AC 3 phase,220V

Input: DC 400~750V or AC 3 phase,380V

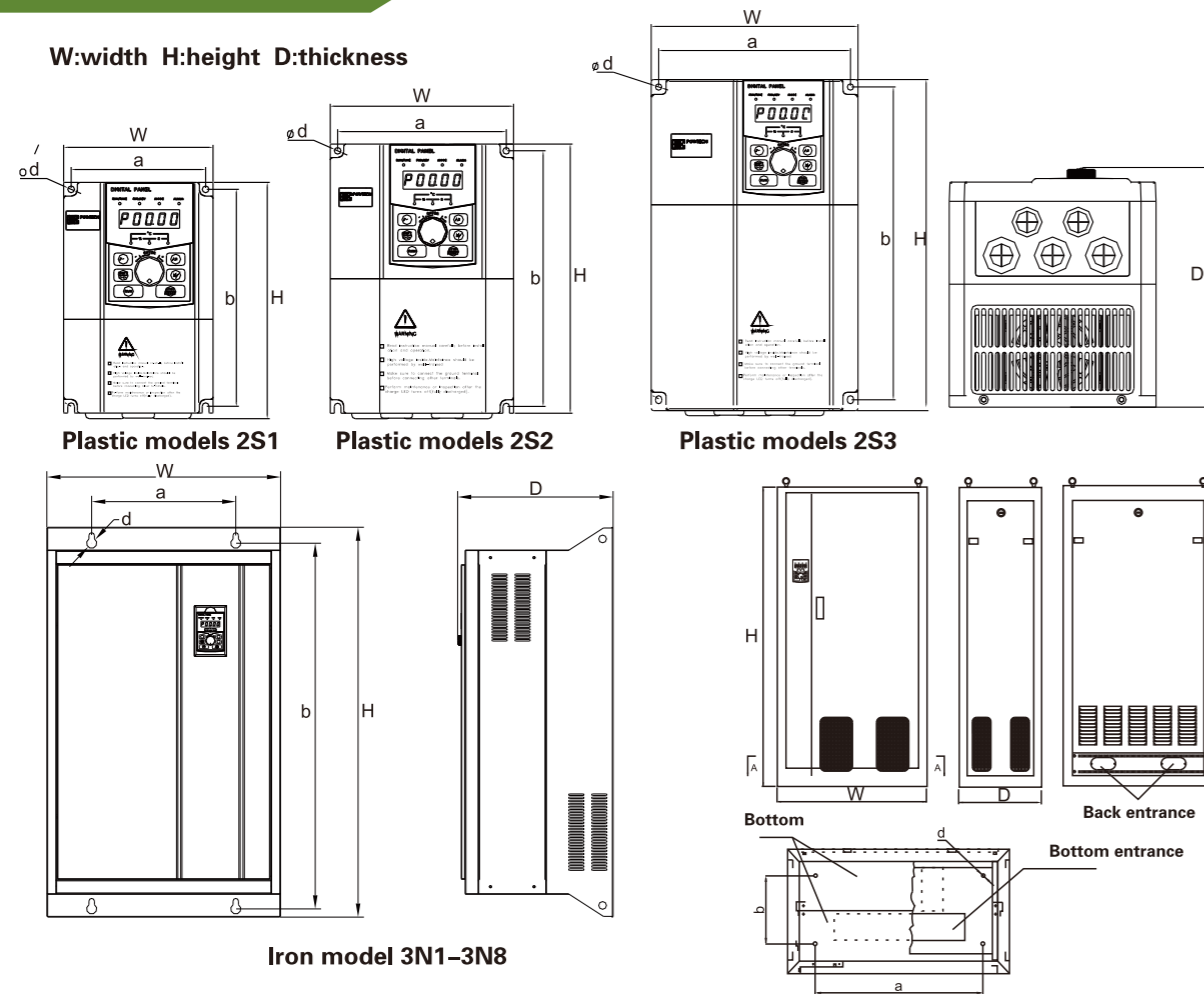
Output: AC 3 phase,380V

Product wiring diagram

WIRING DIAGRAM



Installation Dimension



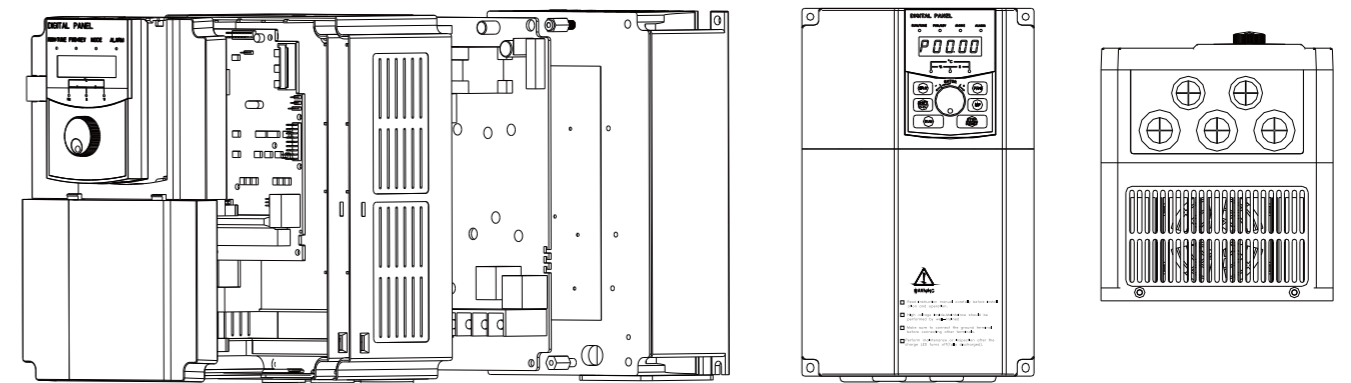
Inverter Motor	Power(kW)	Dimensions(mm)			Installation Size(mm)			Seat number
		H	W	D	a	b	d	
SN360-0R7G-1B	0.75	185	167	120	110	175	ø5.4	3S1
SN360-1R5G-1B	1.5							
SN360-2R2G-1B	2.2							
SN360-004G-1B	3.7							
SN360-0R7G-3B	0.75							
SN360-1R5G-3B	1.5							
SN360-2R2G-3B	2.2							
SN360-004G-3B	3.7	220	183.5	150	140	210	ø5.4	3S2
SN360-5R5G/7R5P-3B	5.5							
SN360-7R5G-3B	7.5	285	208.5	180	167	180	ø5.4	3S3
SN360-011P-3B	11							
SN360-011G/015P-3B	11/15							
SN360-015G/018P-3B	15/18.5	340	200	205	150	322	ø9	3N1
SN360-018G/022P-3B	18.5/22							
SN360-022G/030P-3B	22/30	430	263	255	170	407	ø9	3N2
SN360-030G/037P-3B	30/37							
SN360-030G/037P-3B	30/37	490	310	274	190	468	ø10	3N3

Structural Design

• Multiple installation modes(wall-mounted, floor-standing)

The inverter is installed and used for the convenience of the user ,and there are multiple installation modes. Among them,0.75KW-132KW can be wall-mounted,110KW-280KW can be wall-mounted or floor-mounted, and 315KW-630KW can be floor-mounted.

Wall-mounted 3S1/3S2/3S3 0.4KW~11KW



Wall-mounted 3N1-3N8 11kW-37kW

